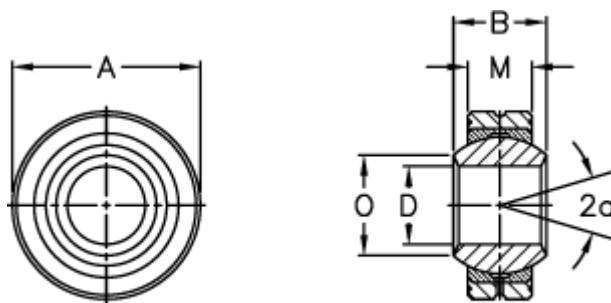


Article number: 03402012

Description: Fluro Rod end GLRS 12

Measures



Str. 3 uden smørerille

A	= 30	Static load C0 (kN) = 80
a (degrees)	= 13	Weight = 58
B	= 16	
D	= 12	
Dynamic load C (kN)	= 13.5	
M	= 12	
O	= 15.4	
Permissible rpm	= 860	